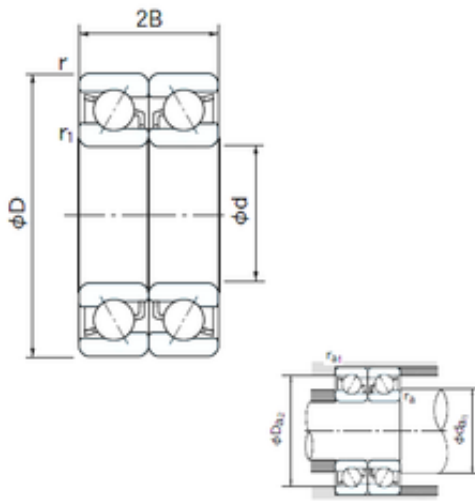




KOYO MANUFACTURING (THAILAND)CO.,LTD.



105 mm x 160 mm x 26 mm NACHI 7021DB
angular contact ball bearings

Bearing No. 7021DB

7021DB Bearing 2D drawings and 3D CAD models

Size	105x160x26 mm
Bore Diameter	105 mm
Outer Diameter	160 mm
Width	26 mm
d	105 mm
D	160 mm
B	26 mm
C	26 mm
Angle (°)	30 °
a	25.2 mm
r min.	2 mm
r1 min.	1 mm
2B	52 mm
da min.	113 mm
Da max.	155 mm
ra max.	1 mm
Weight	1.73 Kg
Basic dynamic load rating (C)	130 kN
Basic static load rating (C0)	163 kN
(Grease) Lubrication Speed	2600 r/min
Bore Type	Cylindrical Bore
Enclosure	Open
Configuration	Duplex
Bore Size	105 mm
Outside Diameter	160 mm



KOYO MANUFACTURING (THAILAND)CO.,LTD.

Width	26 mm
Fillet Radius/Chamfer	2 mm
r1	1 mm
Dynamic Load Rating	130,000 N
Static Load Rating	163,000 N
Limiting Speed - Grease	2,600 rpm
Limiting Speed - Oil	3,500 rpm
da1 (min)	113 mm
da2 (min)	113 mm
Da1 (max)	152 mm
Da2 (max)	155 mm
ra (max)	2 mm
ra1 (max)	1 mm